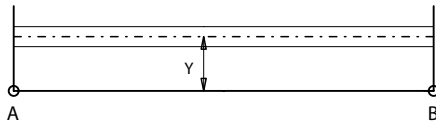


Measuring instruction

G-RAIL®

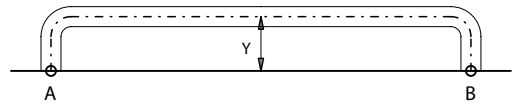
Basic situations - please take measurements from the centre of the track;
 - Please pay attention to opening windows, window sills, radiators or other obstructions.

1



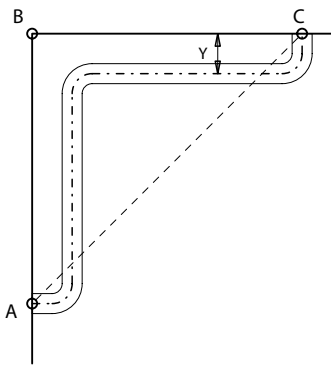
AB Y

2



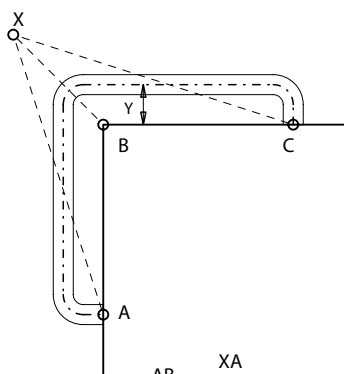
AB Y

3



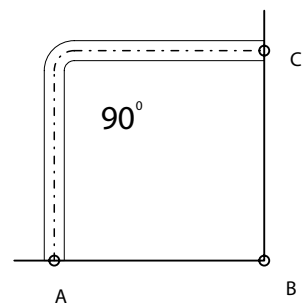
AB BC AC Y

4



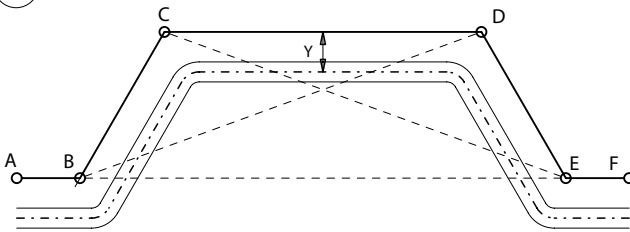
AB BC XA XB XC Y

5



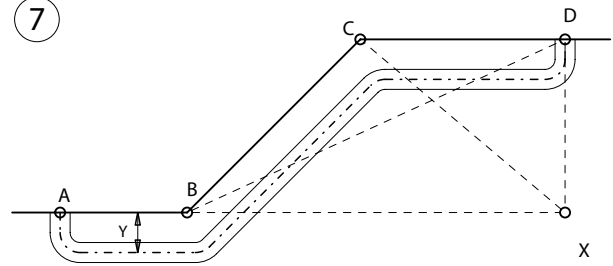
AB BC

6



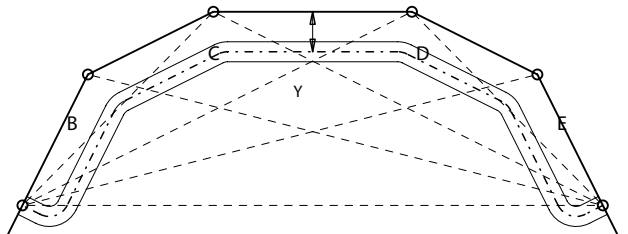
AB BC BD CE DE EF Y
BE

7



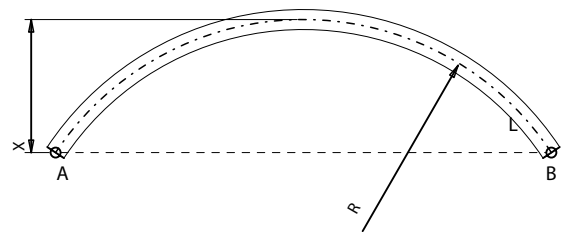
AB BC BD CD DX Y
BX CX

8



AB BC CD DE BF Y
AC CF
AD DF
AE EF
AF

9



AB X of length L R